



Daystate

RED WOLF



THE WORLD'S FINEST AIRGUNS



www.daystate.com

WELCOME TO DAYSTATE

A very warm welcome to the Daystate catalogue - a mouthwatering line-up of precharged pneumatic (PCP) air rifles and accessories. Our latest model range delivers a mix of revamped and totally new rifles, including the exciting Red Wolf Safari. Furthermore, we have partnered with renowned regulator manufacturer, Huma-Air, to offer many of our models with an air-regulated action.

As pioneers of the modern-day PCP, Daystate has always been at the forefront of airgun technology, pushing boundaries when other airgunmakers were happy to simply operate inside existing ones. Today, over 40 years since the company's inception, we continue to lead and innovate in the design and production of high-performance air rifles.

The international status we have secured as a global leader in the field of airgun production is synonymous with our British engineering roots, and every Daystate leaving the UK factory is firmly underpinned by this famous heritage.

From groundbreaking, computer-controlled tech to a totally new concept in mechanically-driven actions, Daystate continues in its ongoing quest to drive air rifle performance to new heights. With each rifle hand-built by master craftsmen to deliver all the power, consistency and accuracy, our rifles allow you to enjoy your sport - be that hunting or target shooting - at the next level.

Welcome to a new Daystate era - where our original thinking helps keep you ahead of the game.



TECHNOLOGY

As maker of the world's finest airguns, Daystate's mantra is to constantly push technological boundaries. The current rifle range boasts the most innovative and sophisticated air gun systems available anywhere.

MCT & GCU SYSTEMS

Our electronically-driven models feature Mapped Compensated Technology (MCT). A digital microprocessor and solenoid-powered air valve monitor and control every microsecond of the firing cycle to ensure unrivalled shot-to-shot consistency, increased shots-per-charge and reduced action movement. All the attributes which, ultimately, translate into improved accuracy at the target.

The Gun Control Unit (GCU) within our electronic models incorporates new safety features and advanced battery management that further secures them as the class-leading air rifles they already are.

DAYSTATE ART

Even for a gunmaker as avant-garde as Daystate, developing the next generation of air rifles takes more than innovation, ingenuity and investment – it requires commitment and a constant pursuit of perfection. That's why we've established our new Daystate Accuracy Research Team.

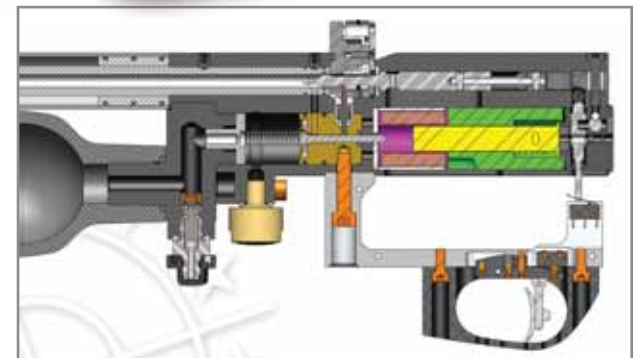
The objective of the ART program is to ensure every new rifle coming off the drawing board proceeds through its development and manufacturing stages to deliver the highest of accuracy standards that, as industry leader, Daystate sets itself. The ART program rolls out with

THE ART BARREL

ART barrel is an airgun barrel that far exceeds the accuracy potential of anything seen up until now and is fitted as standard on Red Wolf Safari models and is an extra cost option on other high power rifles such as Pulsar HP and Wolverine HP models. A rolling development by the team is examining and improving the accuracy and pellet compatibility of all barrels.

HUMA-AIR REGULATORS

Daystate and its sister company Brocock have an exclusive agreement to be the only companies to be supplied factory-fit regulators in partnership with the internationally renowned Dutch regulator specialists Huma-Air. The HR Huntsman Regal, Wolverine R and Renegade HR model variants now come as standard with a Huma-Air regulated action. This regulator precisely meters air control to improve shot-to-shot consistency as the rifle cycles through its usable air charge. Not only is accuracy improved, but a greater number of shots are returned per fill-up – a big advantage on the highest-powered models.



THE DAYSTATE COLLECTION

HUNTSMAN GENUS	6
HUNTSMAN REGAL	8
RED WOLF	10
RED WOLF SAFARI	12
WOLVERINE 2	14
WOLVERINE R	16
PULSAR	18
RENEGADE	20
ACCESSORIES & PELLETS	22
CALIBRES & ENERGY CHARTS	26



This brochure has been printed on fully certified FSC paper from responsible sources.

This brochure has also been carbon-captured through the Woodland Trust by planting new woodland in the UK.



www.daystate.com

THE DAYSTATE
HUNTSMAN GENUS

LIMITED EDITION

The commemorative Genus pays homage to Daystate's inaugural rifle, the Huntsman, which has always been a mainstay of the company's range.

Limited to a worldwide production run of just 200, the Genus incorporates all the technology and features that Daystate's classic PCP sporter has evolved during its journey from 'Mk1' to the present-day HR Huntsman Regal. However, the celebratory model boasts an extra level of detail that reflects its significance to Daystate's rich airgun heritage.

The Genus is presented in laminate woodwork with contrasting grip and forend caps, complemented by metalwork finished in bronze and gold. Further embellishments include commemorative plaques on the breech and stock, with the individually numbered rifles coming with a matching Certificate of Authenticity, a special edition hard cover book and presentation case. Available to order in .177, .20, .22 or .25 calibre, at power levels from 12 to 40ft/lb.



Huntsman Genus

Overall length	38.5ins (978mm)
Barrel length	17ins (431mm)
Weight unscoped	7.05lbs (3.2kg)
Magazine	10-shot
Shots per charge	*Up to 160 shots @ 12ft/lb (16J)
Calibre	.177, .20, .22 and .25



*See page 26 for full power and shots per charge chart.
 Shot-count will vary depending on fill pressure, power setting and factory-set power level.



THE DAYSTATE
HUNTSMAN REGAL & HR REGAL

TRADITIONAL, CLASSIC ELEGANCE

The latest succession to the Huntsman's famous lineage, the Regal combines all the elements of a classic, English sporting air rifle. Beautifully-shaped walnut woodwork cradles a solidly-engineered - though remarkably lightweight - mechanical powerplant, providing a unique marriage of wood and metal courtesy of an action that sits lower in the stock to perfectly mimic the feel and handling of a traditional hunting rifle.

The contemporary Huntsman maintains all the features airgunners have come to expect from a PCP bearing the famous Daystate marque, from its shrouded match-grade barrel, through its snap-fit filling system and integral pressure gauge, to its solid breech block that accepts Daystate's proven 10-shot rotary magazine. The mag can be replaced with the supplied single-shot tray for direct-to-barrel loading if preferred, too.

Courtesy of its Harper patent sling-shot hammer and valve system, the Huntsman is capable of performance levels hitherto unachievable in a mechanically-driven PCP, and higher power versions in the Regal line produce muzzle energies up to 30 ft/lb, or 40 ft/lb on the extended-cylinder XL model.

Indeed, it makes the perfect chassis for the latest variant - the HR Regal. Incorporating an air regulator that is licensed exclusively to us by Dutch pneumatic specialist Huma-Air, the HR model improves the Regal's already consistent velocity, and extends its shots-per-charge count up to 68%.

The Regal – proclaiming its rightful accession to bear the Huntsman's famous crown.



Regal	
Overall length	36.5ins (927mm)
Barrel length	17ins (431mm)
Weight unscoped	6lbs (2.7kg)
Magazine	10-shot
Shots per charge	*Up to 95 shots @ 12ft/lb (16J)
Calibre	.177, .20 and .22

HR Regal	
Overall length	36.5ins (927mm)
Barrel length	17ins (431mm)
Weight unscoped	6.1lbs (2.8kg)
Magazine	10-shot
Shots per charge	*Up to 160 shots @ 12ft/lb (16J)
Calibre	.177, .20 and .22

Regal XL	
Overall length	36.5ins (927mm)
Barrel length	17ins (431mm)
Weight unscoped	6.2lbs (2.8kg)
Magazine	10-shot
Shots per charge	*Up to 40 shots @ 30ft/lb (41J)
Calibre	.177, .20, .22 and .25

*See page 26 for full power and shots per charge chart.
 Shot-count will vary depending on fill pressure, power setting and factory-set power level.



Mamba Lite

Huntsman

Daystate

POWER FACTOR
DAYSTATE ENGLAND

THE DAYSTATE
RED WOLF

A WOLF WITH MORE BYTE

The Red Wolf holds the mantle for the most advanced PCP sporter in the world - and for good reason. A breath-taking picture of elegance on the outside, secreted within its sidelever-operated, computerised action lies the very latest electronic technology.

Digitally regulated for a super-consistent, high shot-count and sporting a trigger that incorporates adjustability of both release and finger placement, the Red Wolf delivers match-like accuracy at the very extremes of airgun ranges.

All versions are now fitted with an updated Gun Control Unit (GCU 2.0) that is capable of delivering 20% more muzzle energy, the unique GCU mapping system allows for two additional and digitally-accurate power settings of 20 and 30% below the highest power setting on each calibre and power of rifle. This makes the Red Wolf essentially three rifles in one.

Its masterfully sculpted stock comes in choice of a hand-oiled high grade walnut or a high-gloss wood laminate. However it's dressed, its ambidextrous design caters for a perfect gun-fit courtesy of a butt pad and raised cheekpiece, both fully adjust-able. Aiding the Red Wolf's user-friendly handling is a light-weight carbon-fibre bottle (though an alloy option is available), above which sits the barrel in a carbon-fibre, full shroud that helps mute the muzzle report in the field. And, of course, the Red Wolf's sidelever design marries effortless cocking with speedy loading courtesy of Daystate's auto-indexing magazine. In looks, handling and performance, the Red Wolf is pure air-gun artistry.



	Low Power (12 ft/lb)	High Power (Short Barrel)	High Power (Long Barrel)
Overall length	39ins (991mm)	39ins (991mm)	45ins (1143mm)
Barrel length	17ins (431mm)	17ins (431mm)	23ins (584mm)
Weight unscoped	7.5lbs (3.4kg)	7.5lbs (3.4kg)	8.5lbs (3.9kg)
Magazine	10-shot	10-shot	10-shot (5-shot .30)
*Energy Up to	12ft/lb	50ft/lb	80ft/lb
*Power settings example .22	Hi 12ft/lb; Mid 10ft/lb; Lo 8ft/lb	Hi 45ft/lb; Mid 37ft/lb; Lo 30ft/lb	Hi 65ft/lb; Mid 52ft/lb; Lo 46ft/lb
*Shots per charge example .22 with Hi-lite bottle	*Up to 475 shots @ 12ft/lb (16J)	50 shots @ 45ft/lb (54J)	60 shots @ 65ft/lb (88J)
Calibre	.177 and .22	177, .22 and .25	177, .22, .25 and .30



Red Wolf Midnight Special Edition



Red Wolf Laminatair - with Long Barrel



*See page 26 for full power and shots per charge chart.
 Shot-count will vary depending on fill pressure, power setting and factory-set power level.



THE DAYSTATE
RED WOLF SAFARI

NOW FOR THE BIGGER GAME

Not content with the accolades it has already achieved, we have taken our flagship Red Wolf one step further and up-graded with the latest ART barrels & new GCU 2.0 electronics to create the Red Wolf Safari.

At the cutting edge of airgun technology, the Safari features a new type of rifled barrel, featuring a polygonal bore and christened the ART Barrel, its high precision performance has been achieved courtesy of the R&D carried out by Daystate's own Accuracy Research Team (ART).

The second major breakthrough is our electronic GCU 2.0 hard-ware that increases muzzle energy by at least 20%, making the latest Red Wolf's our most powerful electronic air rifle ever. Digitally regulated, by the GCU 2.0, for a super consistent and high shot-count, the Red Wolf Safari pushes performance boundaries way beyond normal airgun limits. This GCU map-ping system also allows for two additional and digitally accurate power settings of 20 and 30% below the highest power setting on each calibre and power of rifle. This makes the Red Wolf Safari three different rifles in one and adding flexibility not found in mechanically driven PCP's, while its two-stage elec-tronic trigger provides more control with both sensitivity and blade position adjustments.

To complete this very special package, the Safari's comes with a new, high-grip textured wood finish making the 'Safari' gun-stock the ideal choice for field use. Its design caters for perfect gunfit courtesy of an adjustable butt pad and cheekpiece.

Red Wolf Safari – Hunt Bigger, Group Tighter, Shoot Further



Overall length	45ins (1143mm)
Barrel length	23ins (584mm)
Weight unscoped	8.5lbs (3.9kg)
Magazine	10-shot (5-shot .30)
*Energy Up to	80 ft/lb
*Power settings example .30	Hi 80ft/lb; Mid 64ft/lb; Lo 56ft/lb
*Shots per charge	Up to 30 shots @ 80ft/lb (108J)
Calibre	177, .22, .25 and .30



*See page 26 for full power and shots per charge chart.
 Shot-count will vary depending on fill pressure, power setting and factory-set power level.



THE DAYSTATE
WOLVERINE 2

A MARQUE OF RAW POWER

In its Mark 2 format the Wolverine 2 represents the companies all time most powerful air rifle with the High Power (HP) versions capable of super high powers up to 100 ft/lb in an amazing .30" (7.62mm) calibre.

The Wolverine 2 C Type utilises a 200cc under-barrel air tube, while the 400 or 500cc buddy-bottle B Type model offers a higher shot-count per fill. For the weight conscious, there's the Hi-Lite model, fitted with a 480cc carbon-fibre buddy-bottle. And the Hi-Power (HP) models - available in .22, .25 and .30 calibres.

The Wolverine 2 is available with an ambidextrous thumbhole stock in walnut, which now incorporates a butt pad offering adjustability for both height and cast. The C Type woodwork blends in an extended forend made from ballistic polymer, which incorporates a Picatinny accessory rail for fitting components such as a bipod, flashlight or laser.

A marvel of mechanical PCP design, the Wolverine 2's many guises make it as versatile as it is impressive.



C Type

Overall length	38ins (965mm)
Barrel length	17ins (431mm)
Weight unscoped	7.3lbs (3.4kg)
Magazine	10-shot
Shots per charge	*Up to 140 shots @ 12ft/lb (16J)
Calibre	.177, .22 and .25

Hi-Lite

Overall length	38ins (965mm)
Barrel length	17ins (431mm)
Weight unscoped	7.3lbs (3.4kg)
Magazine	10-shot
Shots per charge	*Up to 230 shots @ 12ft/lb (16J)
Calibre	.177, .22 and .25

B Type

Overall length	38ins (965mm)
Barrel length	17ins (431mm)
Weight unscoped	7.3lbs (3.4kg)
Magazine	10-shot
Shots per charge	*Up to 250 shots @ 12ft/lb (16J)
Calibre	.177, .22 and .25

HP

Overall length	44ins (1118mm)
Barrel length	23ins (600mm)
Weight unscoped	8.4lbs (3.8kg)
Magazine	10-shot (5-shot .30)
Shots per charge	*Up to 29 shots @ 60ft/lb (81J)
Calibre	.22, .25 and .30

*See page 26 for full power and shots per charge chart.
 Shot-count will vary depending on fill pressure, power setting and factory-set power level.



THE DAYSTATE
WOLVERINE R

EVOLUTION OF THE SPECIES

The Wolverine lineage has now been extended to include an air-regulated action and sidelever cocking.

Offering all the time-proven attributes of the Wolverine 2 and now including the availability of a laminate or walnut thumbhole stock, the new R model swaps a cocking bolt for the in-vogue sidelever cocking system, increasing yet further the appeal of this very versatile PCP. Additionally, the sidelever can be supplied for right-side operation or left, further building upon the woodwork's ambidextrous design.

And, of course, that R suffix denotes this rifle's *pièce de résistance* - its regulator. Developed only and exclusively for Daystate in partnership with the internationally renowned Dutch regulator specialist, Huma-Air, the measured air control that it brings to the R's action brings a host of benefits. Not only does it maximise shot-to-shot consistency as the rifle cycles through its usable air charge, but downrange accuracy is also improved. Furthermore, a greater number of shots are returned per fill-up - a big advantage on the higher-powered and HP models, which can return up to 100% more shots than the standard Wolverine 2 courtesy of the Huma-Air's high efficiency.

If the Wolverine 2 is a marvel of mechanical PCP technology, then the Wolverine R is no less than the pinnacle.



B Type

Overall length	38ins (965mm)
Barrel length	17ins (431mm)
Weight unscoped	7.4lbs (3.36kg)
Magazine	10-shot
Shots per charge	*Up to 600 shots @ 12ft/lb (16J)
Calibre	.177, .22 and .25

C Type

Overall length	38ins (965mm)
Barrel length	17ins (431mm)
Weight unscoped	7.2lbs (3.27kg)
Magazine	10-shot
Shots per charge	*Up to 250 shots @ 12ft/lb (16J)
Calibre	.177, .22

Hi-Lite

Overall length	38ins (965mm)
Barrel length	17ins (431mm)
Weight unscoped	7.4lbs (3.36kg)
Magazine	10-shot
Shots per charge	*Up to 500 shots @ 12ft/lb (16J)
Calibre	.177, .22 and .25

HP

Overall length	44ins (1118mm)
Barrel length	23ins (600mm)
Weight unscoped	8.5lbs (3.9kg)
Magazine	10-shot (5-shot .30)
Shots per charge	*Up to 65 shots @ 45ft/lb (61J)
Calibre	.177, .22, .25 and .30



Wolverine R Forester Laminate Special Edition



*See page 26 for full power and shots per charge chart.
 Shot-count will vary depending on fill pressure, power setting and factory-set power level.



THE DAYSTATE
PULSAR

LIGHT YEARS AHEAD

With unique ergonomics and an action that's computer controlled via a sophisticated motherboard and software, the Pulsar builds on Daystate's years of electronically powered airgun success to represent a revolutionary step in PCP design.

A pinnacle of modern airgun engineering, it features Daystate's digital regulator to control the rifle's power - Now fitted with an updated Gun Control Unit (GCU 2.0) that is capable of delivering 20% more muzzle energy, the unique GCU mapping system allows for two additional and digitally-accurate power settings of 20 and 30% below the highest power setting on each calibre and power of rifle. This makes the Pulsar essentially three rifles in one.

The New electronics package links to a revised valve system for increased efficiency and high shot capacity from its large, 300cc alloy air cylinder - and also enables the Pulsar to be offered in high-powered (HP) format with a longer barrel. Feature-rich, the Pulsar pairs its ultra-quiet action with Daystate's best-ever sound-moderating barrel shroud to give it a near-silent performance in the field - though for the ultimate stealth, its threaded muzzle adapter will also accept many of Daystate's silencer options. Fully ambidextrous, the Pulsar is available in synthetic or laminate stock guises, each complemented by a ballistic nylon forend that sports a Picatinny rail for fitting accessories like a bi-pod, flashlight or sling. A 10-shot auto-loading rotary magazine, reversible sidelever, integral laser sight, LCD display info panel and unprecedented array of new safety systems finish off this highly-advanced PCP bullpup.



Overall length	30ins (762mm)
Barrel length	17ins (431mm)
Weight unscoped	7.5-8.3lbs (3.4-3.8kg)
Magazine	10-shot
*Energy Up to	50 ft/lb (81J)
*Power settings example .22	Hi 45ft/lb; Mid 37ft/lb; Lo 30ft/lb
*Shots per charge	Up to 250 shots @ 12ft/lb (16J)
Calibre	.177, .22 and .25

HP	
Overall length	35ins (889mm)
Barrel length	23ins (584mm)
Weight unscoped	8.3lbs (3.8kg)
Magazine	10-shot (5-shot .30)
*Energy Up to	80 ft/lb (108J)
*Power settings example .25	Hi 65ft/lb; Mid 52ft/lb; Lo 46ft/lb
*Shots per charge	Up to 55 shots @ 50ft/lb (68J)
Calibre	.177, .22, .25 and .30

*See page 26 for full power and shots per charge chart.
 Shot-count will vary depending on fill pressure, power setting and factory-set power level.



Pulsar Saxon

THE DAYSTATE
RENEGADE & RENEGADE HR

HEAVENLY HYBRID

Combining an advanced mechanical action with the groundbreaking mechanical/electronic HTU trigger release, the Renegade offers a bullpup configuration for those who don't aspire to the all-electronic action of the flagship Pulsar. Yet nonetheless, the Renegade is still a highly-advanced 'shorty' in its own right – especially with the introduction of a new Huma-Air regulated HR version for those after the ultimate in air efficiency as well as handling.

Building on the standard Renegade's sling-shot air release, the Renegade HR's controlled air metering flattens out the power curve, so the velocity of the last shot in the rifle's charge will be the same as the first... as will every single one between! And, of course, the improved accuracy and greater shot-count synonymous with regged PCPs are also benefits offered in the HR variant.

Both models come dressed in an ergonomic, ambidextrous stock featuring fully-adjustable butt pad, drop-down pistol grip and forend accessory rail, while the Renegade's sidelever-cocked action runs Daystate's tried-and-tested 10-shot, auto-loading magazine - but a single-shot loading tray can be fitted for manual pellet feed if preferred.

A fully-shrouded barrel with threaded muzzle, in-guard safety catch and reach-forward intermount with anti-cant bubble complete what's been heralded as a unique kind of high-performance precharged pneumatic.



Overall length	30ins (762mm)
Barrel length	17ins (431mm)
Weight unscoped	7.5-8.3lbs (3.4-3.8kg)
Magazine	10-shot
Shots per charge	*Up to 220 shots @ 12ft/lb (16J)
Calibre	.177, .22 and .25
HP	
Overall length	35ins (889mm)
Barrel length	23ins (584mm)
Weight unscoped	8.3lbs (3.8kg)
Magazine	10-shot (5-shot .30)
Shots per charge	*Up to 35 shots @ 60ft/lb (81J)
Calibre	.22, .25 and .30

HR	
Overall length	30ins (762mm)
Barrel length	17ins (431mm)
Weight unscoped	7.6-8.4lbs (3.4-3.8kg)
Magazine	10-shot
Shots per charge	*Up to 310 shots @ 12ft/lb (16J)
Calibre	.177, .22 and .25
HP HR	
Overall length	35ins (889mm)
Barrel length	23ins (584mm)
Weight unscoped	8.4lbs (3.8kg)
Magazine	10-shot (5-shot .30)
Shots per charge	*Up to 45 shots @ 60ft/lb (81J)
Calibre	.22, .25 and .30

*Shot-count will vary depending on fill pressure, pellet weight and factory-set power level. See page 26.



THE DAYSTATE
**T2 300BAR
 COMPRESSOR**

Ideal for gun shops, shooting clubs or the PCP airgunner who wants his independence, Daystate's latest Type 2 electric air compressor takes the effort out of charging up a precharged pneumatic rifle or scuba tank.

A sophisticated, superior air filtration system delivers breathing quality air courtesy of a very quiet charging operation. The T2 fills a 10-litre 300BAR scuba tank from empty in just 20 minutes - but it will top it up from 150BAR in less than 10!

Portable, self-contained and robust, it's fitted with a large, easy-to-read pressure gauge that can be specifically set to automatically cut the charging process off when the required pressure has been reached. The new Type 2 also features a run-time counter to assist with servicing schedules.



Power	3HP (2.2kW)
Voltage	230v/16a
Delivery rate	100 l/m (6,00 m³/h)
Noise	91db
Weight	94.8lbs (43kg)
Dimensions	27x15x19ins (686x381x483mm)

ALPHA BIPOD

Designed to fit directly to the Picatinny forend rail of the Pulsar, Renegade and Wolverine C Type, or to other rifles via a standard eyelet stud using the supplied adaptor, this bipod provides a stable platform via independently-extendable legs (up to 9ins/229mm). It's also spring-loaded to quickly fold back on the rifle's forend when not deployed.



SLING SWIVELS

Designed to allow the attachment of a sling to the Picatinny forend of the Pulsar, Renegade and Wolverine C Type models. Also supplied with eyelet stud for rifle's butt.



HARD CASE

A high quality injection-moulded black case with four securing clips, quality egg-box foam lining and the Daystate logo.



RANGEMASTER PELLETS

The worlds most advanced air rifles are only as accurate as the pellets fed into them!

To compliment its state-of-the-art hardware, Daystate has developed a range of ammunition perfectly matched to your Daystate rifle to suit every power level and shooting scenario.

KAISER

Made by H&N Germany

.177 - 8.64 grains (*18 ft/lb)
.22 - 14.66 grains (*25 ft/lb)

SOVEREIGN

Made by JSB Czech Republic

.177 - 8.44 grains (*18 ft/lb)
.177 - Hunter - 10.3 grains (*20 ft/lb)
.20 - 13.7 grains (*20 ft/lb)
.22 - 15.9 grains (*30 ft/lb)
.22 - Hunter 18.1 grains (*35 ft/lb)

KING

Made in Czech Republic

.177 - 13.4 grains (*25 ft/lb)
.22 - 25.4 grains (*45 ft/lb)
.25 - 25.4 grains (*45 ft/lb)

EMPEROR

Made in Czech Republic

.177 - 16.2 grains (*30 ft/lb)
.20 - 20 16 grains (*30 ft/lb)
.22 - 34 grain (70 ft/lb)
.25 - 34 grains (*70 ft/lb)
.30 - Lite - 44 grains (*80 ft/lb)
.30 - 50 grains (*100 ft/lb)



GUN CARE

The best rifles demand the best care - so Daystate recommends its hardware be kept in prime condition courtesy of this range of high-performance gun maintenance products from Ballistol UK.



HILL PUMP

For manually charging your Daystate PCP with compressed air, Hill's latest generation pump requires less effort to operate and comes with a Dry-Pac to reduce moisture intake. Field serviceable, it's supplied with the standard 1/8in BSP connector and limited lifetime warranty.



AIRSTREAM VI SILENCERS

Daystate's Airstream VI Reflex is a groundbreaking, reflex-type sound suppressor incorporating a one-piece baffle for perfect alignment and noise dissipation. It fits Daystate's current line-up of PCPs - including the higher powered models - using the 1/2in UNF threaded muzzle adaptor integral to every Daystate, where the Airstream's sunken thread makes it half the length of comparable silencers. Adding just 3ins (75mm) beyond the muzzle, its strong and lightweight carbon-fibre casing ensures the rifle's balance is unaffected.

A universal version of the Airstream is also available to fit the Huntsman Regal XL, as well as older Daystate models, and many other rifles where fitting a reflex silencer isn't possible.



0dB SILENCER

THE 0dB PERFORMS AS IMPRESSIVELY AS IT LOOKS


There's a new name in airgun sound suppression: the aptly-christened 0dB Silencers. The fledgling company has arrived on the scene making all the right noises, too, launching an extensive range of airgun silencers that perform as impressively as their looks suggest.

Designed in lightweight aluminium and CNC-engineered with the highest quality components, there are two 0dB Silencer models – the 110C and 160S, nomenclature which signifies their 110 and 160mm lengths (4.3 and 6.3ins) respectively. Externally, the 0dB's 1 1/4 in (32mm) diameter tube features stylish flutes to diffuse reflections, while inside is a specially developed baffle system to dissipate both air turbulence and noise. This ensures the pellet not only exits the 0dB Silencer with a barely-audible report, but that it begins its flight downrange in the calmest air possible.

The 0dB Silencer is female-threaded to the industry-standard 1/2in UNF fitting and adds minimal weight – just 108g (3.8oz) for the 110C and 147g (5.2oz) for the 160S. Each model is also close-machined to rifle bore sizes to maximise sound suppression efficiency, with size-specific designs for .177/.22, .25 and .30 calibre airguns denoted by a star rating on the 0dB's end cap.

Effective and beautiful, both models are available in two colours – anodised matt Black or a Cerakote finish Tan – making the 0dB Silencer a classy combo complement as well as the perfect performance upgrade.

 www.0dbsilencers.com

 @0dbsilencers



- **Two models**
110C Compact 110mm (108g)
160S Standard 160mm (147g)
- **Two finishes**
Stealth matt black
Cerakote sand
- **Calibre specific**
.177/.22 [* Model]
.25 [** Model]
.30 [*** Model]
- **CNC-engineered in aluminium**
- **32mm outer diameter**
- **Threaded 1/2" UNF (female)**
Other thread sizes available to special order



Stealth matt Black

Cerakote Tan

CLOTHING & ACCESSORIES

A range of Daystate-branded clothing and other products allows shooters to proudly show off their allegiance to the world's finest airgun marque.



V-Neck T-shirt

Team Wolfpack jacket

Softshell jacket

Earthenware mug

Pen and gift box

Team Wolfpack gilet

Cool-Dry polo

Baseball cap

CALIBRES & ENERGY

Description	Calibre	Barrel	Max Energy ft-lb	Max Shot Count	Source	Vol.	Reg.
Red Wolf	.177 (4.5mm)	17" (43.1cm)	12 (16J)	325	Bottle	400cc	No
	.22 (5.5mm)	17" (43.1cm)	12 (16J)	250	Bottle	400cc	No
	.177 (4.5mm)	17" (43.1cm)	12 (16J)	450	Bottle	500cc	No
	.177 (4.5mm)	17" (43.1cm)	18 (24J)	300	Bottle	500cc	No
	.22 (5.5mm)	17" (43.1cm)	12 (16J)	510	Bottle	500cc	No
	.22 (5.5mm)	17" (43.1cm)	45 (61J)	55	Bottle	500cc	No
	.25 (6.35mm)	17" (43.1cm)	50 (68J)	45	Bottle	500cc	No
	.177 (4.5mm)	17" (43.1cm)	12 (16J)	420	HLite	480cc	No
	.177 (4.5mm)	17" (43.1cm)	18 (24J)	180	HLite	480cc	No
	.22 (5.5mm)	17" (43.1cm)	12 (16J)	475	HLite	480cc	No
	.22 (5.5mm)	17" (43.1cm)	45 (61J)	50	HLite	480cc	No
	.25 (6.35mm)	17" (43.1cm)	50 (68J)	40	HLite	480cc	No
	.177 (4.5mm)	23" (58.4cm)	30 (41J)	75	Bottle	500cc	No
	.22 (5.5mm)	23" (58.4cm)	55 (89J)	60	Bottle	500cc	No
	.25 (6.35mm)	23" (58.4cm)	65 (99J)	50	Bottle	500cc	No
Red Wolf Safari	.30 (7.62mm)	23" (58.4cm)	80 (108J)	33	Bottle	500cc	No
	.177 (4.5mm)	23" (58.4cm)	30 (41J)	70	HLite	480cc	No
	.22 (5.5mm)	23" (58.4cm)	55 (89J)	60	HLite	480cc	No
	.25 (6.35mm)	23" (58.4cm)	65 (99J)	50	HLite	480cc	No
	.30 (7.62mm)	23" (58.4cm)	80 (108J)	30	HLite	480cc	No
	.22 (5.5mm)	23" (58.4cm)	65 (99J)	60	HLite	480cc	No
	.25 (6.35mm)	23" (58.4cm)	65 (99J)	50	HLite	480cc	No
	.30 (7.62mm)	23" (58.4cm)	80 (108J)	30	HLite	480cc	No

Description	Calibre	Barrel	Max Energy ft-lb	Max Shot Count	Source	Vol.	Reg.	
Wolverine 2	.177 (4.5mm)	17" (43.1cm)	12 (16J)	120	Cylind	300cc	No	
	.22 (5.5mm)	17" (43.1cm)	12 (16J)	140	Cylind	300cc	No	
	.177 (4.5mm)	17" (43.1cm)	12 (16J)	180	Bottle	400cc	No	
	.22 (5.5mm)	17" (43.1cm)	12 (16J)	200	Bottle	400cc	No	
	.177 (4.5mm)	17" (43.1cm)	12 (16J)	220	Bottle	500cc	No	
	.22 (5.5mm)	17" (43.1cm)	12 (16J)	250	Bottle	500cc	No	
	.25 (6.35mm)	17" (43.1cm)	30 (41J)	110	Bottle	500cc	No	
	.177 (4.5mm)	17" (43.1cm)	12 (16J)	200	HLite	480cc	No	
	.177 (4.5mm)	17" (43.1cm)	18 (24J)	100	HLite	480cc	No	
	.22 (5.5mm)	17" (43.1cm)	12 (16J)	230	HLite	480cc	No	
	.22 (5.5mm)	17" (43.1cm)	30 (41J)	90	HLite	480cc	No	
	.25 (6.35mm)	17" (43.1cm)	30 (41J)	100	HLite	480cc	No	
	Wolverine 2 HP	.22 (5.5mm)	23" (58.4cm)	60 (81J)	29	Bottle	500cc	No
		.25 (6.35mm)	23" (58.4cm)	70 (95J)	28	Bottle	500cc	No
		.22 (5.5mm)	23" (58.4cm)	60 (81J)	25	HLite	480cc	No
.25 (6.35mm)		23" (58.4cm)	70 (95J)	25	HLite	480cc	No	
.30 (7.62mm)	23" (58.4cm)	100 (135J)	18	HLite	480cc	No		

Description	Calibre	Barrel	Max Energy ft-lb	Max Shot Count	Source	Vol.	Reg.
Wolverine R	.177 (4.5mm)	17" (43.1cm)	12 (16J)	200	Cylind	200cc	Yes
	.22 (5.5mm)	17" (43.1cm)	12 (16J)	250	Cylind	200cc	Yes
	.177 (4.5mm)	17" (43.1cm)	12 (16J)	300	Bottle	400cc	Yes
	.22 (5.5mm)	17" (43.1cm)	12 (16J)	350	Bottle	400cc	Yes
	.177 (4.5mm)	17" (43.1cm)	12 (16J)	500	Bottle	500cc	Yes
	.177 (4.5mm)	17" (43.1cm)	18 (24J)	180	Bottle	500cc	Yes
	.22 (5.5mm)	17" (43.1cm)	12 (16J)	600	Bottle	500cc	Yes
	.22 (5.5mm)	17" (43.1cm)	30 (41J)	160	Bottle	500cc	Yes
	.25 (6.35mm)	17" (43.1cm)	40 (54J)	110	Bottle	500cc	Yes
	.177 (4.5mm)	17" (43.1cm)	12 (16J)	460	HLite	480cc	Yes
	.177 (4.5mm)	17" (43.1cm)	18 (24J)	160	HLite	480cc	Yes
	.22 (5.5mm)	17" (43.1cm)	12 (16J)	500	HLite	480cc	Yes
	.22 (5.5mm)	17" (43.1cm)	30 (41J)	130	HLite	480cc	Yes
	.25 (6.35mm)	17" (43.1cm)	40 (54J)	100	HLite	480cc	Yes
	Wolverine R HP	.22 (5.5mm)	23" (58.4cm)	45 (61J)	75	Bottle	500cc
.25 (6.35mm)		23" (58.4cm)	50 (68J)	65	Bottle	500cc	Yes
.30 (7.62mm)		23" (58.4cm)	60 (81J)	65	Bottle	500cc	Yes
.22 (5.5mm)		23" (58.4cm)	45 (61J)	65	HLite	480cc	Yes
.25 (6.35mm)		23" (58.4cm)	50 (68J)	50	HLite	480cc	Yes
.30 (7.62mm)		23" (58.4cm)	60 (81J)	55	HLite	480cc	Yes

Description	Calibre	Barrel	Max Energy ft-lb	Max Shot Count	Source	Vol.	Reg.
Huntsman Regal	.177 (4.5mm)	17" (43.1cm)	12 (16J)	70	Cylind	182cc	No
	.22 (5.5mm)	17" (43.1cm)	12 (16J)	85	Cylind	182cc	No
	.25 (6.35mm)	17" (43.1cm)	12 (16J)	95	Cylind	182cc	No
Huntsman Regal XL	.177 (4.5mm)	17" (43.1cm)	18 (24J)	50	Cylind	182cc	No
	.22 (5.5mm)	17" (43.1cm)	30 (41J)	35	Cylind	182cc	No
	.22 (5.5mm)	17" (43.1cm)	40 (54J)	15	Cylind	182cc	No
	.25 (6.35mm)	17" (43.1cm)	30 (41J)	45	Cylind	182cc	No
	.25 (6.35mm)	17" (43.1cm)	40 (54J)	20	Cylind	182cc	No
HR Huntsman Regal	.177 (4.5mm)	17" (43.1cm)	12 (16J)	140	Cylind	182cc	Yes
	.22 (5.5mm)	17" (43.1cm)	12 (16J)	160	Cylind	182cc	Yes
HR Huntsman Regal XL/Genus	.177 (4.5mm)	17" (43.1cm)	18 (24J)	60	Cylind	182cc	Yes
	.22 (5.5mm)	17" (43.1cm)	30 (41J)	40	Cylind	182cc	Yes
	.22 (5.5mm)	17" (43.1cm)	40 (54J)	15	Cylind	182cc	Yes
.25 (6.35mm)	17" (43.1cm)	40 (54J)	20	Cylind	182cc	Yes	

Description	Calibre	Barrel	Max Energy ft-lb	Max Shot Count	Source	Vol.	Reg.
Pulsar	.177 (4.5mm)	17" (43.1cm)	12 (16J)	220	Cylind	300cc	No
	.177 (4.5mm)	17" (43.1cm)	18 (24J)	110	Cylind	300cc	No
	.22 (5.5mm)	17" (43.1cm)	12 (16J)	250	Cylind	300cc	No
	.22 (5.5mm)	17" (43.1cm)	45 (61J)	50	Cylind	300cc	No
Pulsar HP	.25 (6.35mm)	17" (43.1cm)	50 (68J)	48	Cylind	300cc	No
	.177 (4.5mm)	23" (58.4cm)	30 (41J)	50	Cylind	300cc	No
	.22 (5.5mm)	23" (58.4cm)	55 (89J)	43	Cylind	300cc	No
	.25 (6.35mm)	23" (58.4cm)	65 (99J)	35	Cylind	300cc	No
	.30 (7.62mm)	23" (58.4cm)	80 (108J)	25	Cylind	300cc	No

Description	Calibre	Barrel	Max Energy ft-lb	Max Shot Count	Source	Vol.	Reg.
Huntsman Regal	.177 (4.5mm)	17" (43.1cm)	12 (16J)	70	Cylind	182cc	No
	.20 (6.35mm)	17" (43.1cm)	12 (16J)	70	Cylind	182cc	No
	.22 (5.5mm)	17" (43.1cm)	12 (16J)	85	Cylind	182cc	No
	.25 (6.35mm)	17" (43.1cm)	12 (16J)	95	Cylind	182cc	No
	.177 (4.5mm)	17" (43.1cm)	18 (24J)	50	Cylind	182cc	No
Huntsman Regal XL	.20 (6.35mm)	17" (43.1cm)	18 (24J)	50	Cylind	182cc	Yes
	.22 (5.5mm)	17" (43.1cm)	30 (41J)	35	Cylind	182cc	No
	.22 (5.5mm)	17" (43.1cm)	40 (54J)	15	Cylind	182cc	No
HR Huntsman Regal	.25 (6.35mm)	17" (43.1cm)	30 (41J)	45	Cylind	182cc	No
	.25 (6.35mm)	17" (43.1cm)	40 (54J)	20	Cylind	182cc	No
	.177 (4.5mm)	17" (43.1cm)	12 (16J)	140	Cylind	182cc	Yes
	.20 (6.35mm)	17" (43.1cm)	18 (24J)	140	Cylind	182cc	Yes
	.22 (5.5mm)	17" (43.1cm)	12 (16J)	160	Cylind	182cc	Yes
HR Huntsman Regal XL + Genus	.177 (4.5mm)	17" (43.1cm)	18 (24J)	60	Cylind	182cc	Yes
	.20 (6.35mm)	17" (43.1cm)	18 (24J)	60	Cylind	182cc	Yes
	.22 (5.5mm)	17" (43.1cm)	30 (41J)	40	Cylind	182cc	Yes
	.22 (5.5mm)	17" (43.1cm)	40 (54J)	15	Cylind	182cc	Yes
	.25 (6.35mm)	17" (43.1cm)	40 (54J)	20	Cylind	182cc	Yes

Description	Calibre	Barrel	Max Energy ft-lb	Max Shot Count	Source	Vol.	Reg.
Renegade	.177 (4.5mm)	17" (43.1cm)	12 (16J)	200	Cylind	300cc	No
	.177 (4.5mm)	17" (43.1cm)	18 (24J)	80	Cylind	300cc	No
	.22 (5.5mm)	17" (43.1cm)	12 (16J)	220	Cylind	300cc	No
Renegade HP	.22 (5.5mm)	17" (43.1cm)	33 (45J)	50	Cylind	300cc	No
	.25 (6.35mm)	17" (43.1cm)	35 (47J)	60	Cylind	300cc	No
	.22 (5.5mm)	23" (58.4cm)	50 (68J)	35	Cylind	300cc	No
	.25 (6.35mm)	23" (58.4cm)	60 (81J)	35	Cylind	300cc	No
	.30 (7.62mm)	23" (58.4cm)	80 (108J)	18	Cylind	300cc	No
Renegade HR	.177 (4.5mm)	17" (43.1cm)	12 (16J)	250	Cylind	300cc	Yes
	.177 (4.5mm)	17" (43.1cm)	18 (24J)	100	Cylind	300cc	Yes
	.22 (5.5mm)	17" (43.1cm)	12 (16J)	310	Cylind	300cc	Yes
Renegade HP HR	.22 (5.5mm)	17" (43.1cm)	30 (41J)	75	Cylind	300cc	Yes
	.25 (6.35mm)	17" (43.1cm)	35 (47J)	80	Cylind	300cc	Yes
	.22 (5.5mm)	23" (58.4cm)	42 (57J)	50	Cylind	300cc	Yes
	.25 (6.35mm)	23" (58.4cm)	50 (68J)	35	Cylind	300cc	Yes
	.30 (7.62mm)	23" (58.4cm)	60 (81J)	45	Cylind	300cc	Yes





THE WORLD'S FINEST AIRGUNS

Daystate 



THE WORLD'S FINEST AIRGUNS

Daystate 

DAYSTATE LTD, UNIT 3 RALEIGH HALL INDUSTRIAL ESTATE,
ECCLESHALL, STAFFORDSHIRE ST21 6JL. UK

